

**7.2mm Square Tact Switch (Vertical, SMT/TH Type)**



TSG-95/96/97/98/99/9AS/T-XXX


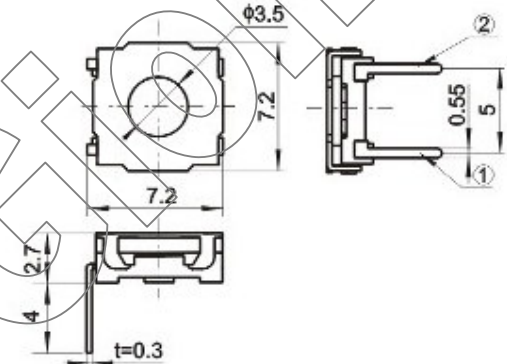
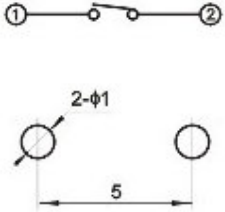
TS - Tact Switch  
 G - G Series  
 95 / 96 / 97 / 98 / 99 / 9A - Type  
 S / T – SMT Type, TH Type  
 XXX - Action Force (gram)


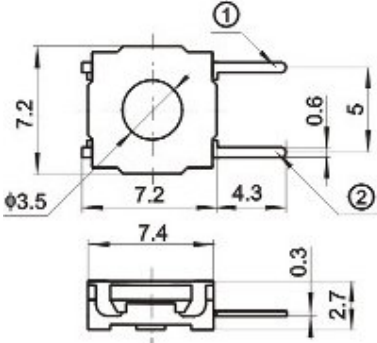
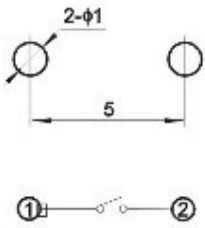

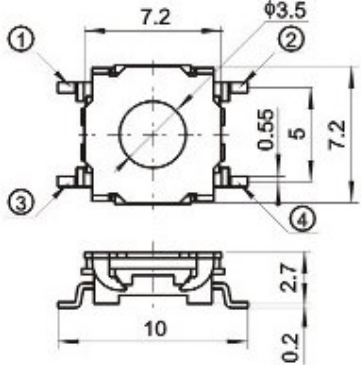
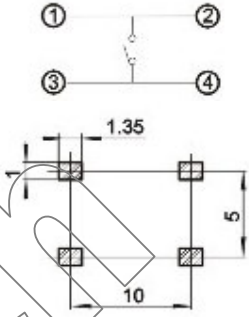

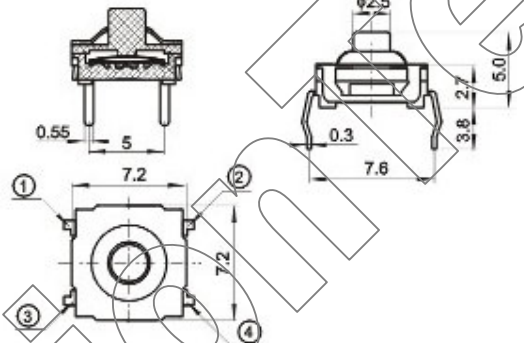
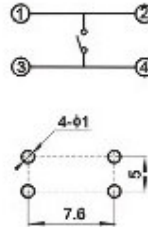

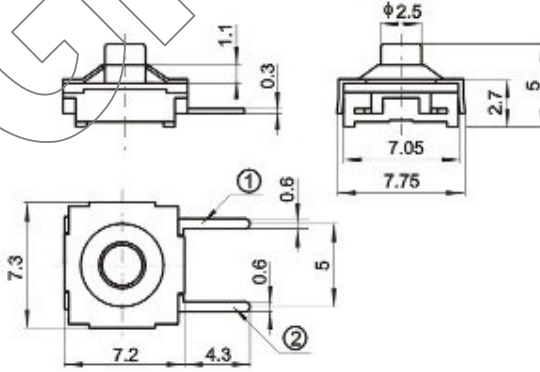
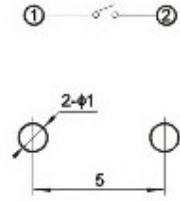
**SPECIFICATIONS**


Mechanical Life: 100,000 cycles  
 Operating Force: 90g±50g, 180g±50g, 250g±50g  
 Travel: 0.20±0.1mm  
 Rating: 50mA 12V DC  
 Dielectric Withstanding: 250V AC/minute  
 Insulator Resistance: ≥ 100 MΩ at 100V  
 Contact Resistance: ≤ 100 mΩ/Contact  
 Operating Temperature: -30°C ~ +85°C  
 Storage Temperature: -40°C ~ +85°C

**Material**

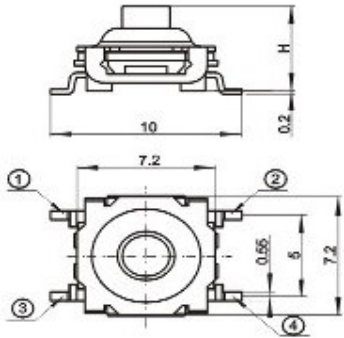
Base: PA66/PA6T, UL94V-0  
 Contact material: Phosphor Bronze  
 Contact Spring Plating: Stainless Steel/Silver Plating

Physical Picture	Outline Drawing	Circuit
 <p>TSG-95T-XXX</p>		

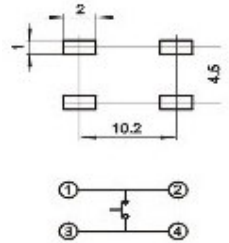
 <p>TSG-96T-XXX</p>		
 <p>TSG-97S-XXX</p>		
 <p>TSG-98T-XXX</p>		
 <p>TSG-99T-200</p>		



TSG-9AS-XXX  
(H=X.X)



H
5.0
7.0
8.5
10.0
.....



GionTech